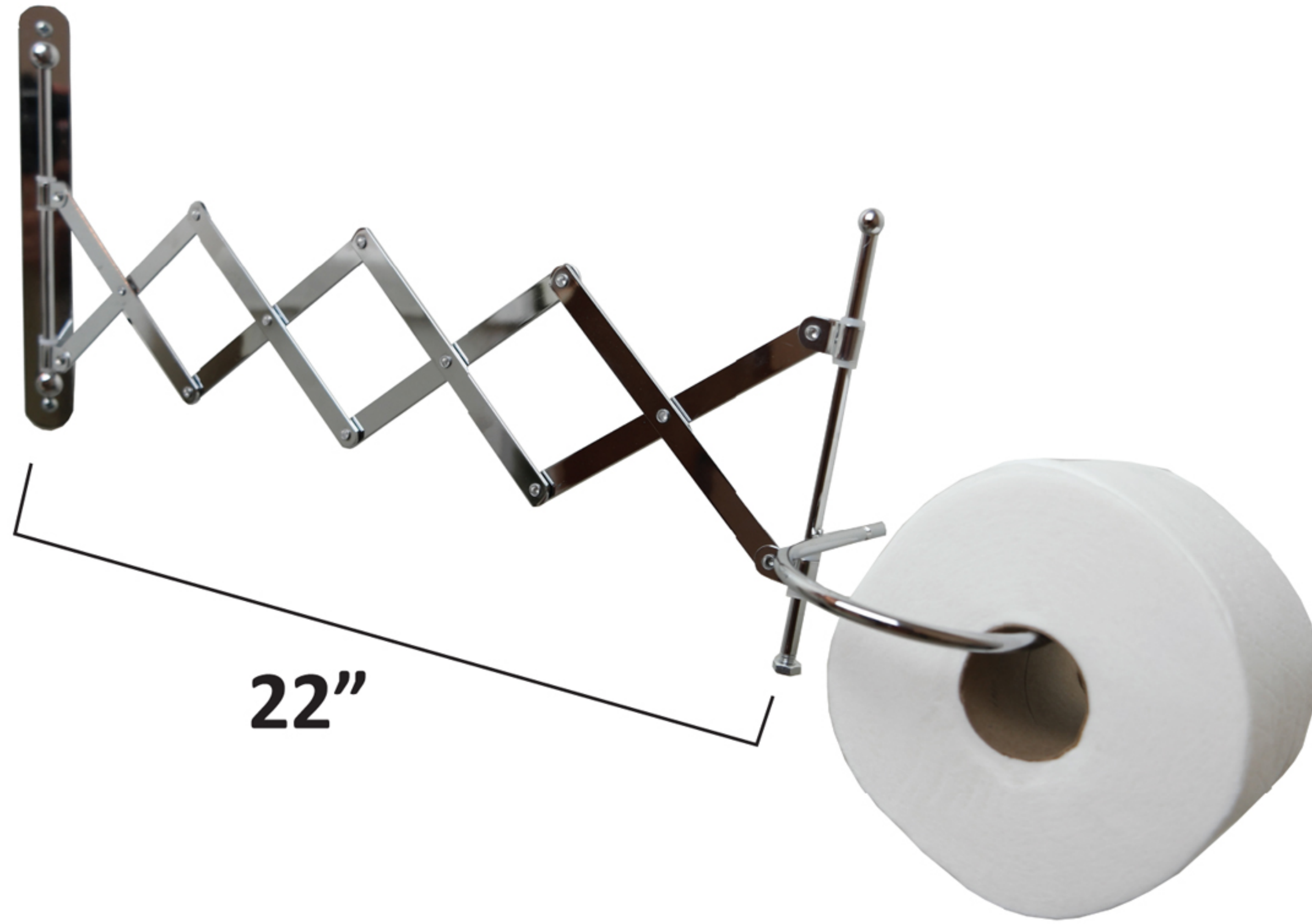


Introducing:

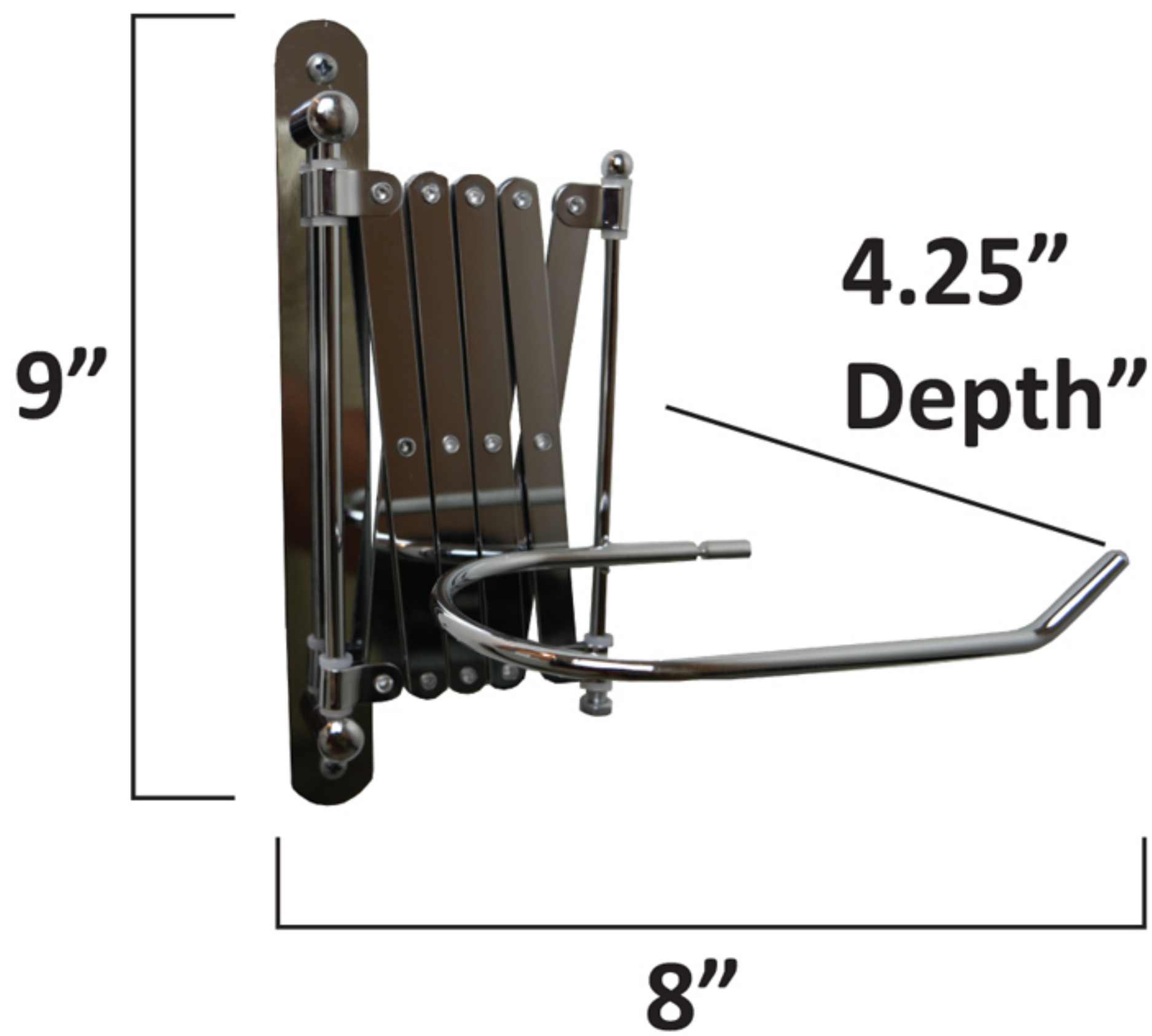
# EXTEND A ROLL

*The First Ever Extendable  
Wall Mounted Toilet  
Paper Holder*

Patent No: US 10,743,725 B2



**22" Fully Extended**  
**4" Fully Retracted**  
**Weight: 1 lb.**  
**Material: Iron**



**9" Height**  
**8" Width**  
**4.25" Depth**



Retracts for out of the way storage



Pivot A: Easy Toilet Paper Extension



Pivot B: Turn In or Out for desired roll position

